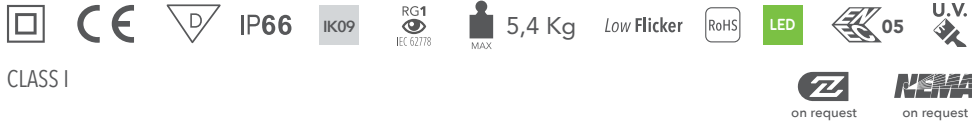


Street LED Lighting fitting

BRIXIA L



CLASS I

Power Supply

External driver ON/OFF. Version available on request: Dimmer, DALI, DALI2, D4i
 Cable H07 RNF 2x1.5 mm² L.50cm.
 SPD integrated 10kV-10kA
 Input voltage 220 - 240VAC 50/60Hz.
 Temperature -40° +45°

Controlli

ON-OFF: fixed non-dimmable
 MV: Automatic dimming (virtual midnight) with default profile
 CLO: constant luminous flux
 DALI: DALI 2 digital dimming interface
 DI: 1-10V analogue dimming interface
 ZHAGA: possibility to apply ZHAGA connector
 NEMA: possibility to apply NEMA connector

Applications

Street lighting – Parkings – Industrial areas

Size (mm)

634 x 246 x 225

Colour

Dark Grey RAL 7015

Decay of the luminous flux

≥100.000 hr L90B10 ≥110.000 hr TM21-L70

MATERIALS

Body: Die cast aluminium alloy UNI EN 46100. Protection against the corrosion with epoxy primer + polyester painting resistant to salty mist**Pole connection bracket:** Galvanized steel and goniometer with anti-rotation lock**Optic:** Optical PC HT lenses**Cable gland:** Plastic M 25x1,5 IP68**Gasket:** Expanded silicone**Lenses:** Optical PC**Screen:** Tempered extra clear 5 mm glass, resistant to thermal shocks and impacts**External screws:** Stainless steel AISI 304

TENDER SPECIFICATIONS

Street LED lighting fitting with the body in die cast in aluminium alloy UNI EN 46100. First layer in epoxy primer + painting with polyester powder, resistant to the saline mist, stabilized to UV rays, UV Class I. Screws in stainless steel AISI 304. Extra clear tempered glass, sodium-calcium type 5 mm, resistant to thermal shocks and impacts, guaranteed transparency 93%. Gaskets in expanded silicone. Integrated On/Off driver with the virtual midnight feature by default (programmable in the phase of the order, if necessary), voltage 220-240 VAC 50/60 Hz (also available Dimmer, DALI, DALI2, D4i).

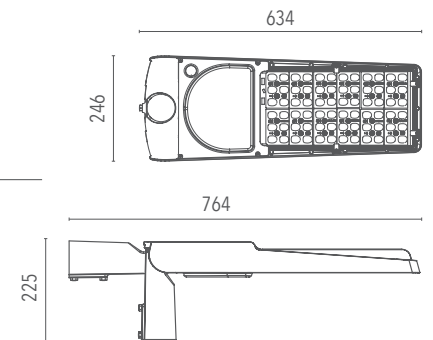
Optical group of 72 LEDs, size 5050. Colour rendering index CRI70 (available on request CRI 80, CRI90). Standard colour temperature: natural white 4000K (available on request: 2700K, 3000K, 5000K, 5700K). MacAdam ellipses (standard deviation colour matching): 3. Protected against mechanical impacts equal to 5 Joule IK08, ROHS approval, IP66, conformity CE, lighting fitting in CLII (available upon request CLI). Energetic classes; IPEA*: A++, Ministerial Decree 27th of September 2017 paragraph 4.2.3.8, energetic performances; EPREL*: D, UE 2017/1369, 2019/2015, 2019/2020, 2021/340 and 2021/341.

European mark of high quality ENEC.

Reference regulations: EN60598-1, EN 60598-2-3, EN 62471, EN55015, EN61547, EN 61000-3.2, EN61000-3-3. Lighting efficiency of the LED size 5050: 190 l/W Ta=25°C.

Group of photobiological risk: RG0 (lighting fittings non presenting photobiological risks according to the Norm EN62471. Require from the manufacturer the distance from the observation point, if necessary.)

Working temperature -40°+50°. Lifetime ≥100.000 hr L90B10 ≥110.000 hr TM21-L70. Warranty: 5 years.



Exposed surface

Front surface 0.14 m²
 Lateral surface 0.046 m²

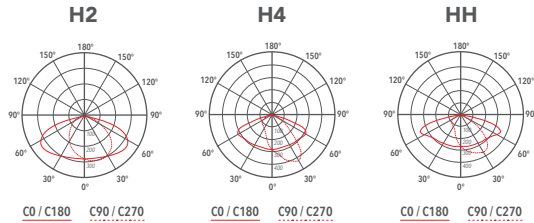
Pole Ø 42- 60 mm

Optical group

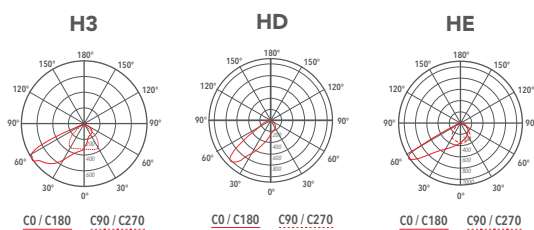
CIE photometric classification: cut-off
 LDT photometric classification: cut-off
 PSBA 72 LED size 5050
 CRI ≥ 70, available on request: CRI80, CRI90
 4000K, available on request: 2700K, 3000K, 5000K, 5700K.
 MacAdam ellipses (Standard Deviation Color Matching): 3
 LED lighting efficiency: 190 l/W

Photometric curves

Secondary and urban suburban roads - historic centers



Secondary and urban suburban roads - historic centers



Code	Source	Power	Lm (Output)	Lm (Tc=25°)	Temperature	CRI	Beam	Color	Control
LOBXL4AH2BL40200	LED	200 W	29911 lm	38000 lm	4000 K	≥70	H2	Dark Grey	-
LOBXL4AH2DI40200	LED	200 W	29911 lm	38000 lm	4000 K	≥70	H2	Dark Grey	DIMMER
LOBXL4AH2DA40200	LED	200 W	29911 lm	38000 lm	4000 K	≥70	H2	Dark Grey	DALI
LOBXL4AH3BL40200	LED	200 W	31315 lm	38000 lm	4000 K	≥70	H3	Dark Grey	-
LOBXL4AH3DI40200	LED	200 W	31315 lm	38000 lm	4000 K	≥70	H3	Dark Grey	DIMMER
LOBXL4AH3DA40200	LED	200 W	31315 lm	38000 lm	4000 K	≥70	H3	Dark Grey	DALI
LOBXL4AH4BL40200	LED	200 W	29911 lm	38000 lm	4000 K	≥70	H4	Dark Grey	-
LOBXL4AH4DI40200	LED	200 W	29911 lm	38000 lm	4000 K	≥70	H4	Dark Grey	DIMMER
LOBXL4AH4DA40200	LED	200 W	29911 lm	38000 lm	4000 K	≥70	H4	Dark Grey	DALI
LOBXL4AHDBL40200	LED	200 W	31315 lm	38000 lm	4000 K	≥70	HD	Dark Grey	-
LOBXL4AHDDI40200	LED	200 W	31315 lm	38000 lm	4000 K	≥70	HD	Dark Grey	DIMMER
LOBXL4AHDDA40200	LED	200 W	31315 lm	38000 lm	4000 K	≥70	HD	Dark Grey	DALI
LOBXL4AHEBL40200	LED	200 W	31315 lm	38000 lm	4000 K	≥70	HE	Dark Grey	-
LOBXL4AHEDI40200	LED	200 W	31315 lm	38000 lm	4000 K	≥70	HE	Dark Grey	DIMMER
LOBXL4AHEDA40200	LED	200 W	31315 lm	38000 lm	4000 K	≥70	HE	Dark Grey	DALI
LOBXL4AHHBL40200	LED	200 W	29911 lm	38000 lm	4000 K	≥70	HH	Dark Grey	-
LOBXL4AHHDI40200	LED	200 W	29911 lm	38000 lm	4000 K	≥70	HH	Dark Grey	DIMMER
LOBXL4AHHDA40200	LED	200 W	29911 lm	38000 lm	4000 K	≥70	HH	Dark Grey	DALI

Lanzini indicates in its catalogues the luminous flux output of the device with a tolerance of ±10% compared to the indicated value. The W indication of the total power absorbed by the LED system + power supply not greater than 10% of the indicated value.

Accessories



Fast connector
IP 2 poles
LKITA00000000017



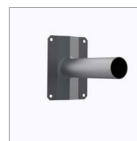
Fast connector
IP 3 poles
LKITA00000000003



Fast connector
IP 4 poles
LKITA00000000018



Fast connector
IP 5 poles
LKITA00000000103



Wall fixing
kit tilt 0° - Ø 60 mm
LKITA00000040190



Wall fixing
kit tilt 15° - Ø 60 mm
LKITA00150040190

Lanzini indicates in its catalogues the luminous flux output of the device with a tolerance of $\pm 10\%$ compared to the indicated value. The W indication of the total power absorbed by the LED system + power supply not greater than 10% of the indicated value.